

USER MANUAL

English



INDEX

/ INTRODUCTION

/ PREPARING

/ COMFORT

/ BRAKES

/ WHEELS

/ SAFETY

/ MAINTENANCE

/ WARRANTY

INTRODUCTION

Congratulations with the purchase of your POLOANDBIKE. The new POLOANDBIKE is a beaming example of superior quality built to last. This new POLOANDBIKE has been designed with care and attention to detail in order to provide the most comfort, use friendliness and safety.

Please read this user's manual carefully before going on your first ride. This user manual contains practical tips that will help you enjoy your POLOANDBIKE. It's our goal to continuously improve our product. That is why we welcome any suggestions regarding design, usage this manual or any other tips.

Please let us know at: <https://poloandbike.com>

IMPORTANT

This manual is only applicable for POLOANDBIKE fixed gear bikes. Please read this user manual carefully before your first ride and keep it safe. Make sure your POLOANDBIKE is serviced by a specialist frequently. A bicycle specialist will be able to maintain your POLOANDBIKE. Failure to properly maintain your POLOANDBIKE voids your guarantee, POLOANDBIKE is a registered trademark.

GETTING ACQUAINTED

Take the time to find out what the brakes are capable of and if the positions of the handlebar and saddle are correctly adjusted and tightly fixed. Certain parts require further adjustments after some time. It is best if you have this done by a bicycle specialist. This manual will be an important source of help. However, we advise you to consult a bicycle specialist.

PREPARING

ASSEMBLY

If you have received your POLOANDBIKE fixed gear bicycle through a 3rd party and not a bicycle specialist here you find a detailed description of how to proceed. Make sure all bicycle parts are greased thoroughly before adjusting/connecting them. You can always ask a bicycle specialist to do the final preparations/ check up.

THE PEDALS

RIGHT

Turn the right pedal (with the letter R on top of the screw) manually in the right crank on the chain side. Then tighten it with a flat key. Note: while fixing the right pedal always turn forward (clockwise).

LEFT

Turn the left pedal (with the letter L on top of the screw) manually in the left crank. Then tighten it with a flat key. Note: while fixing the left pedal always turn forward (anti clockwise).

COMFORT

PREPARING

The saddle and handlebars form the basis of your driving position. There is a simple rule for the correct height of the saddle. With the crank in line with the seat tube, your leg must be stretched but not locked. Note: Too high a saddle will cause sliding and strain on your back. Too low a saddle causes strain in the knees.



TIPS

Take care parking not to put the saddle against to a rough wall, to avoid damage. A saddle covered in leather can, if its wet, bleed color onto other materials. You should take this into account.

SADDLE ADJUSTMENT

Put the saddle into the frame tube at least 60 mm) please look at the safety line. Adjust the saddle tube carefully with an allen key. To adjust the height the saddle tube bolt should be loosened. Check regularly between trips if the nuts and bolts are tight.

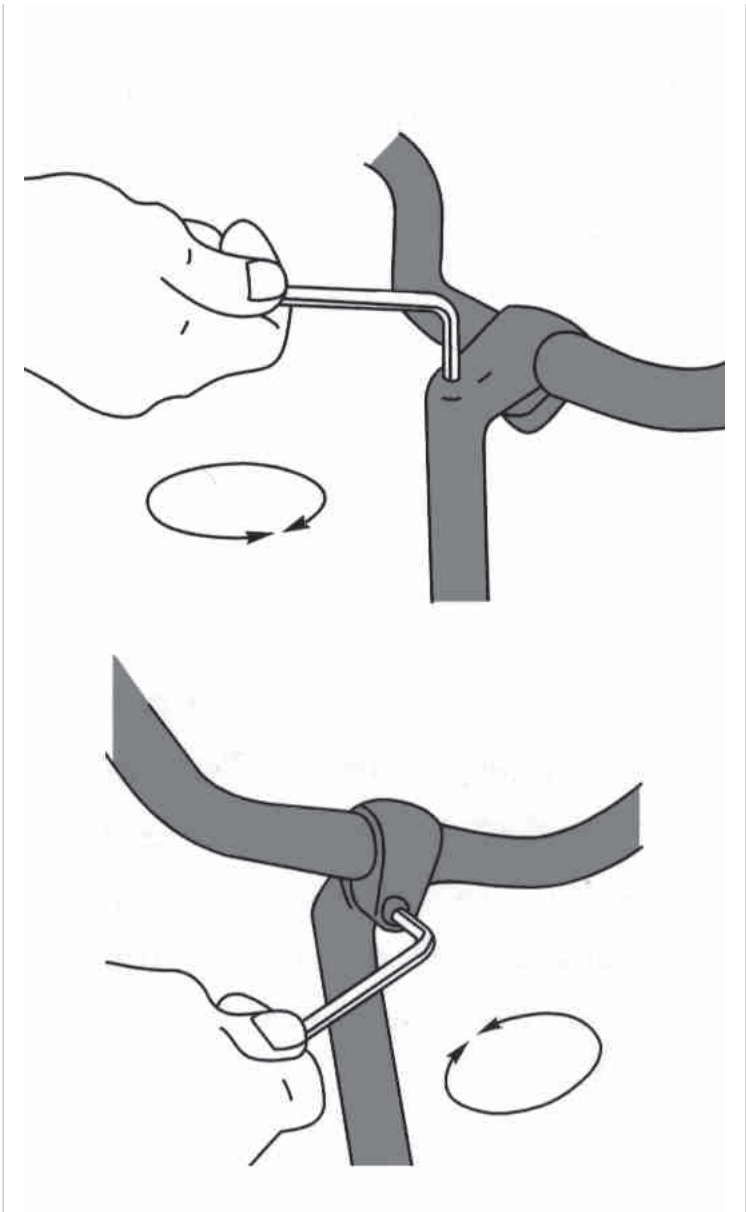
COMFORT

STEERING

The handle bars id key to your riding position. By adjusting the steering tube position higher or lower, the riding position changes.

ADJUSTMENT

Put the handle bar in to the steering head in such a way that the safety line is no longer visible. Properly secure the expander with an allen key.



BRAKES

POLOANDBIKE has caliper brake. Breaking is all about knowledge, trust, experience and feel. During wet weather your breaking distance increases (brake blocks) and on longer descents it is safer to pump the brakes to avoid overheating the brakes.

TIPS

Make sure the angle of the brakehandles are reachable while still keeping your hands on the handlebars.

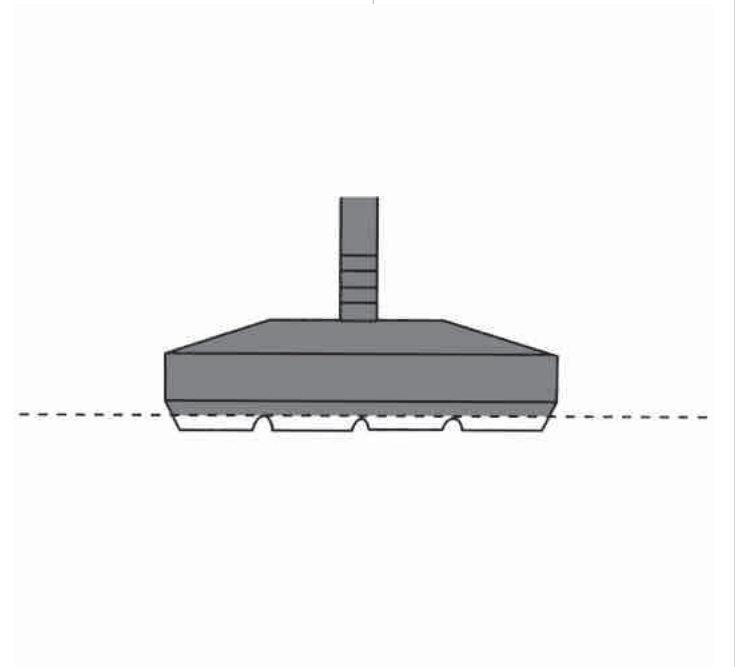
IMPORTANT

Nuts and bolts should be tightened securely. Cables should show no kinks or fraying. The intuitive experience that you will quickly acquire will certainly let you know if after some time the braking power is lacking. When there is a brake not adjusted properly or worn, then you cannot continue to ride.

ADJUSTMENT AND MAINTENANCE

The brake blocks should be replaced if the oblique notches have been worn away. Rims have their own character and the blocks fitted form with them a safe unit. A bicycle specialist has the correct type of brake blocks in stock.

Turn the cable setting screw of the brake lever inward to release the tension of the cable.



WHEELS

The rim, hub and spokes together form (in combination with the rim tape, inner tube and tire) an extremely light yet strong wheel. It is a key part to ensure that the bicycle is pleasant to ride. There are various aspects that are important for light "running" such as, tires pumped up correctly (please look at the indicated tire pressure on the tires), taut spokes and a properly adjusted hub. You can look after the first point yourself.

SPOKES

Spokes are an important part of your wheels. If they are too slack the stability of the bicycle can be influenced negatively. After the running in period (100 km) the spokes should be checked tightening the spokes is very precise work. This is why it has to be done by a bicycle specialist.

IMPORTANT

The spokes should be adjusted for the first time a few weeks approximately after 100km.

If any spokes are loose or broken please go to a bicycle Wheel specialist. He will solve it quickly, which will prevent further damage to the wheel. Have the tension of the spokes regularly checked by a bicycle specialist.

TIRES

Tires are important part in the comfort of your bicycle. They affect the ride in a couple different ways. It is important that the tire is inflated to the optimal pressure. A tire that is under inflated will be prone to faster tire wear as well as requiring more strength to pedal due to increased Surface area making contact with the pavement. Over-inflated tires can lead to flat tires and loss of traction due to reduce between the tire and the pavement. Check your tires on a regular basis making sure that they are filled with the recommended amount of pressure.

SAFETY

A bicycle that has loose parts is not a safe bicycle. On a regular basis perform a check to make sure that you are using a safe bicycle. A bicycle specialist can quickly determine if your bike is in a good working order or need a servicing.

MAINTENANCE

Vital parts such as, cables, spokes and brakes, get the chance during the breaking in period to settle. For the careful tightening and adjustment required you have to visit a bicycle specialist regularly.

To be able to keep riding with pleasure and safety a major annual service is necessary. Your bicycle specialist has not only the tools and experience to adjust and lubricate such hidden moving parts as the steering head and hubs.

Good maintenance is also important in connection with the guarantee. You should carefully read the terms of guarantee on this booklet.

TOOLS

A simple set of tools will suffice for the limited work. You will be well on your way with a set of flat keys, Allen keys, screwdriver, pliers, a small bottle of bicycle oil and maybe a puncture repair kit. Ensure that whenever parts are replaced, the replacements fitted are original or the equivalent.

MAINTENANCE

IMPORTANT

Because pivot points with bearings are water but not watertight, it is not advisable to use garden hose or high-pressure jet cleaner. The alloy and chrome parts of your bicycle (for example, rims, cranks, hubs and handlebars) should have preventive treatment with acid-free petroleum jelly or special grease to prevent oxidation.

WARRANTY

CONDITIONS

Article 1. Warranty.

1.1.- Antonio Gaudí Número 3 SL warranty that the POLOANDBIKE fixed gear bicycles are free of construction and/or materials defects and any other points which are covered within these warrantee conditions.

1.2.- The warranty can only be claimed by the first owner of the POLOANDBIKE bicycle in question.

1.3.- The warranty expires in accordance with the articles 3 and 5.

1.4.- The warranty cannot be transferred to a third party.

Article 2. Warranty period.

2.1.- On all POLOANDBIKE bicycles frames a warrantee of (2) years is given for construction and/or material defects.

2.2.- There will be no warrantee extended on normal wear and tear parts such as tyres, chain, freewheel, cables and brake pads except where construction and/or material defects have been identified.

Article 3. Warranty exclusions.

3.1.- In the following cases warrantee will be lost:

a) Improper and/or unjust use of the bicycle according to the designed purpose.

b) The bicycle has not been maintained in accordance with user manual instructions.

c) Technical repairs have not been carried out in a professional manner.

d) The fitting of aftermarket parts which do not meet technical specifications or have been incorrectly fitted.

e) Proof of purchase is missing or has not been signed by the vendor.

f) The warrantee card has not been, or improperly filled-out or sent within the given time frame.

3.2.- Further responsibility is irrefutably denied by Antonio Gaudí

WARRANTY

Número 3 SL for damage to the bicycle or parts thereof as a result of:

- a) Defective adjustment of handle-bars. Handlebar rod, saddle, saddle rod. Brakes, quick-release mechanism of wheels and saddle.
- b) The untimely replacement of parts such as brake cables, brakes, tyres, chain and cogs.
- c) Climatological influences such as normal discoloring of paint or chrome-pitting.

Article 4: Warranty parts.

4.1.- During the warrantee period all parts which have been identified by Antonio Gaudí Número 3 SL as suffering from construction and/or material defects, will be repaired or reimbursed by choice of Antonio Gaudí Número 3 SL. The eventual costs of (de-) assembly are to be borne by the owner.

4.2.- Cost of transport of the bicycle and/or parts thereof to and/or from Antonio Gaudí Número 3 SL. Will be borne by Antonio Gaudí Número 3 SL if the parts in question are subject to warrantee.

4.3.- Should the part in question for warrantee no longer be in stock or deliverable, Antonio Gaudí Número 3 SL will arrange for at least an equally valuable alternative part.

Article 5. Claiming warranty.

5.1.- Claims under this warrantee need to be presented with the bicycle or the related part thereof for inspection by Antonio Gaudí Número 3 SL approved specialist together with proof of purchase.

5.2. Every customer has the right to withdraw from the contract, which consists of returning the product received if it does not meet his/her expectations. The exercise of this right must be carried out within a maximum period of 7 calendar days from receipt of the product.

If the packaging is damaged, it must be indicated on the carrier's delivery note when the merchandise is received. If the customer realizes this after delivery, he must notify the carrier within 24 hours after delivery. After this period, you will not be able to claim it.

If the merchandise arrives and is wrong or if it arrives damaged or defective, it must be notified within 7 calendar days after the delivery date and in that case Antonio Gaudí Número 3 SL will be

WARRANTY

responsible for the collection and return costs.

Article 6. Responsibility.

6.1.- A by Antonio Gaudí Número 3 SL accepted warrantee claim does not automatically mean that Antonio Gaudí Número 3 SL accepts any responsibility for any eventual damage that may have occurred. The responsibility of Antonio Gaudí Número 3 SL never extends beyond the conditions as described within these warrantee conditions. All claims for responsibility of Antonio Gaudí Número 3 SL for resulting damage will be categorically denied.



/// POLOANDBIKE

<https://www.instagram.com/poloandbike>

<https://poloandbike.com>

<https://www.facebook.com/poloandbikeofficial/>

POLOANDBIKE /// Guillermo Marconi, 296, 33211 Gijón, Asturias. Spain.